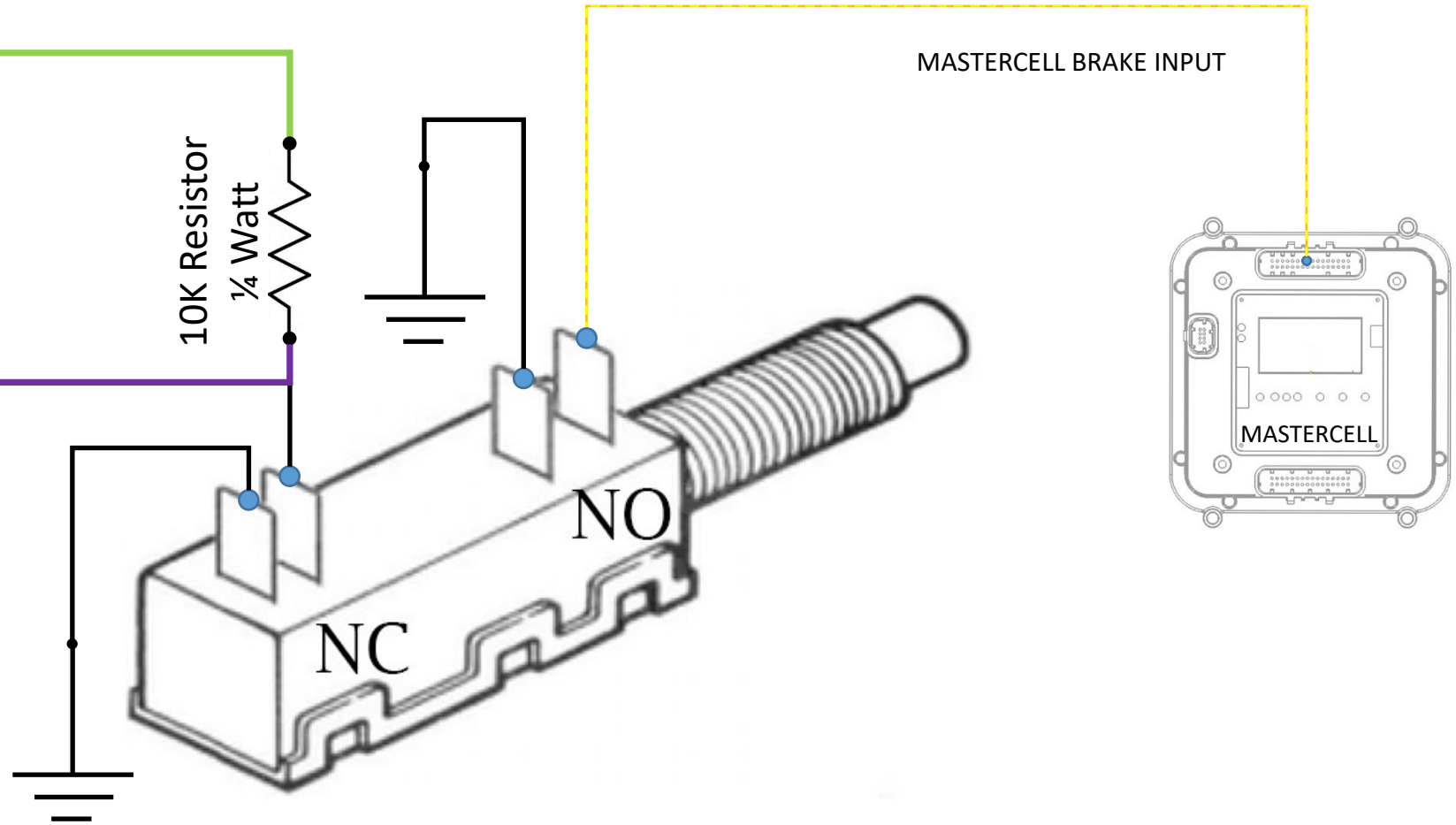


## 12-Volt Signal from 4-Terminal Brake Switch (+12 when stepping on pedal)

+12V Key On Ignition

+12V Brake Signal

- This schematic will get you
  - +12 volts when you step on the brake pedal
  - Ground when your foot is off the brake pedal



\*NOTE: Infinitybox wire Colors & Connector Positions will vary for different kits. See the Configuration Sheet that came with your kit for exact wire colors and locations.

\*\*NOTE: MASTERCELL inputs must be ground switched. Applying 12-volts directly to an input will damage the MASTERCELL and void the warranty.

