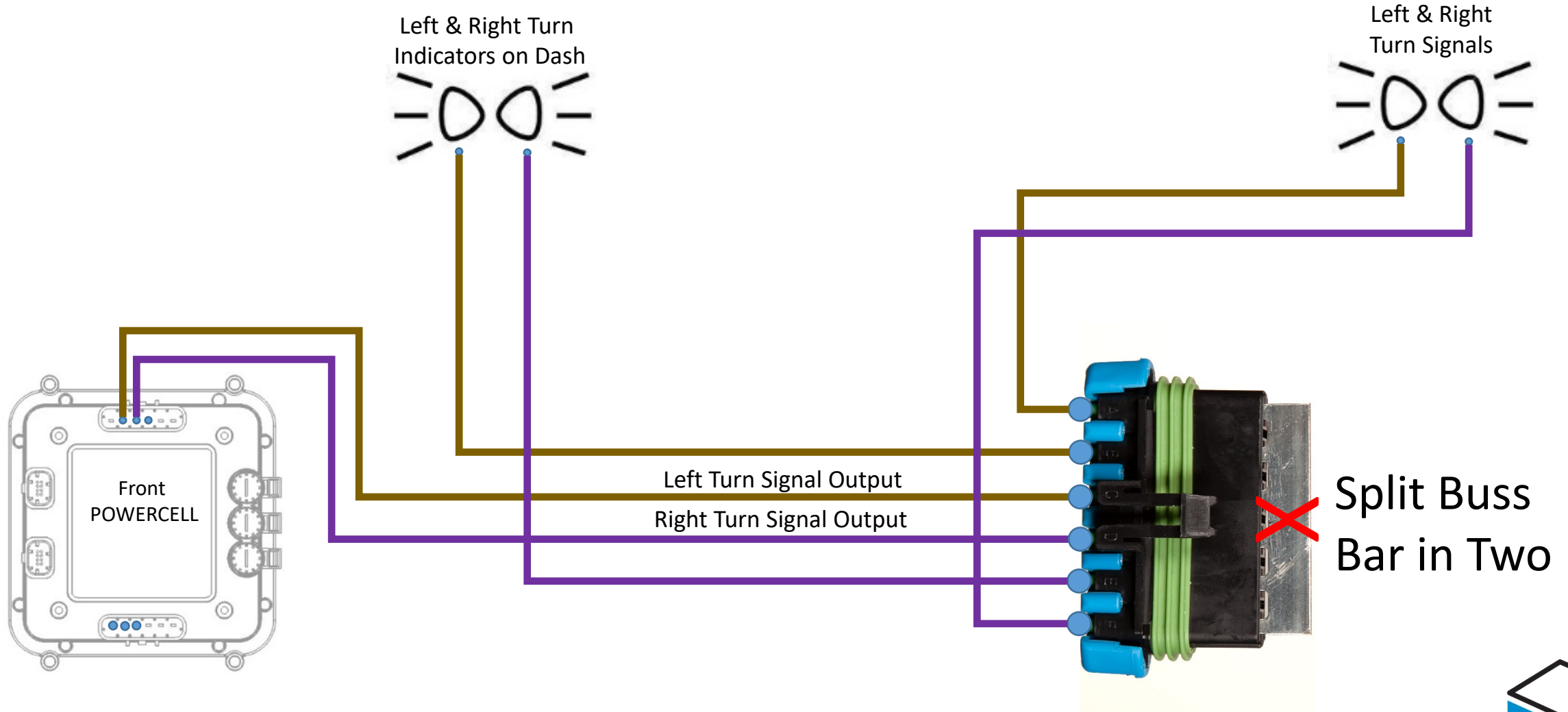


## Wiring Turn Signals and Indicators with Splice Saver Kit



\*NOTE: Infinitybox wire Colors & Connector Positions will vary for different kits. See the Configuration Sheet that came with your kit for exact wire colors and locations. Some wires omitted for clarity. Follow the instructions that came with your kit for complete details.

