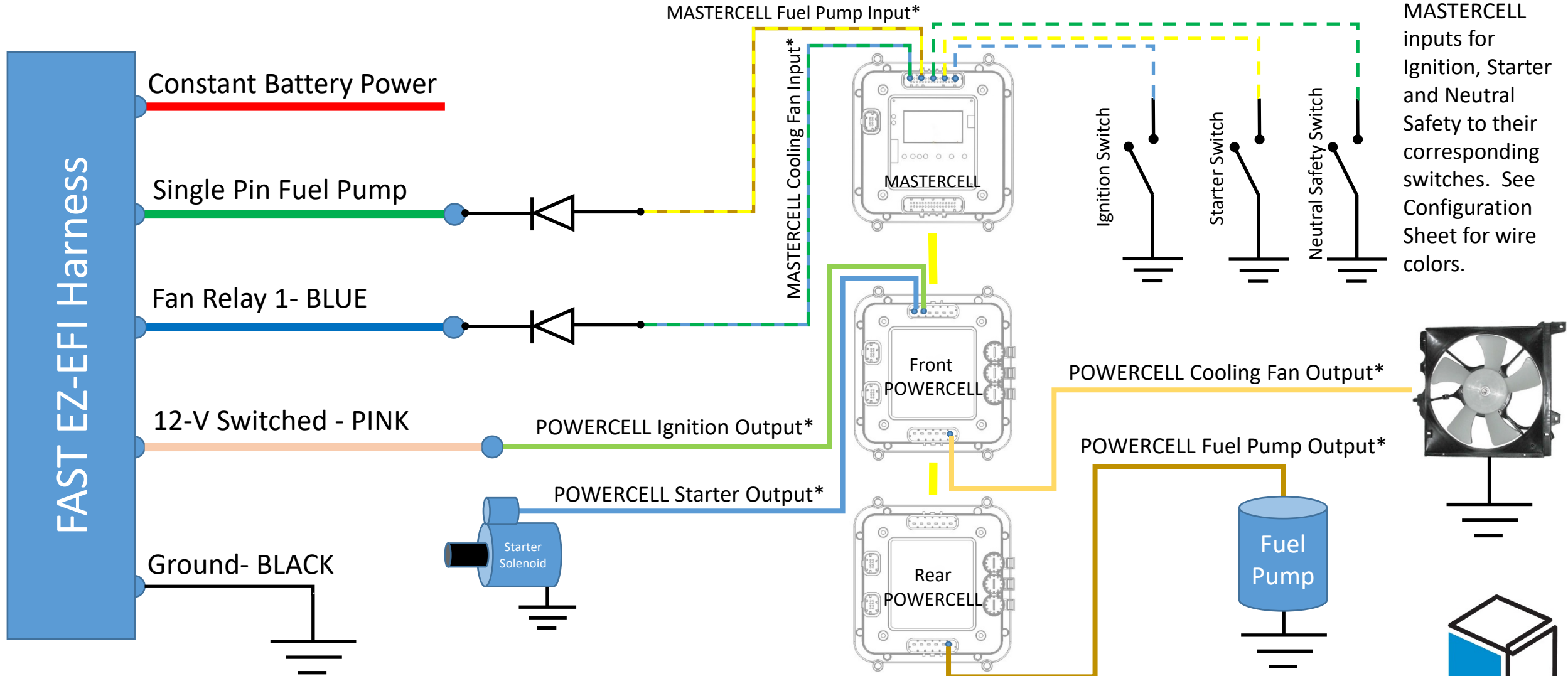
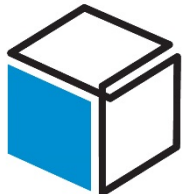


Wiring the FAST EZ-EFI System



Connect MASTERCELL inputs for Ignition, Starter and Neutral Safety to their corresponding switches. See Configuration Sheet for wire colors.



*NOTE: Infinitybox wire colors & Connector Positions will vary for different kits. See the Configuration Sheet that came with your kit for exact wire colors and locations.