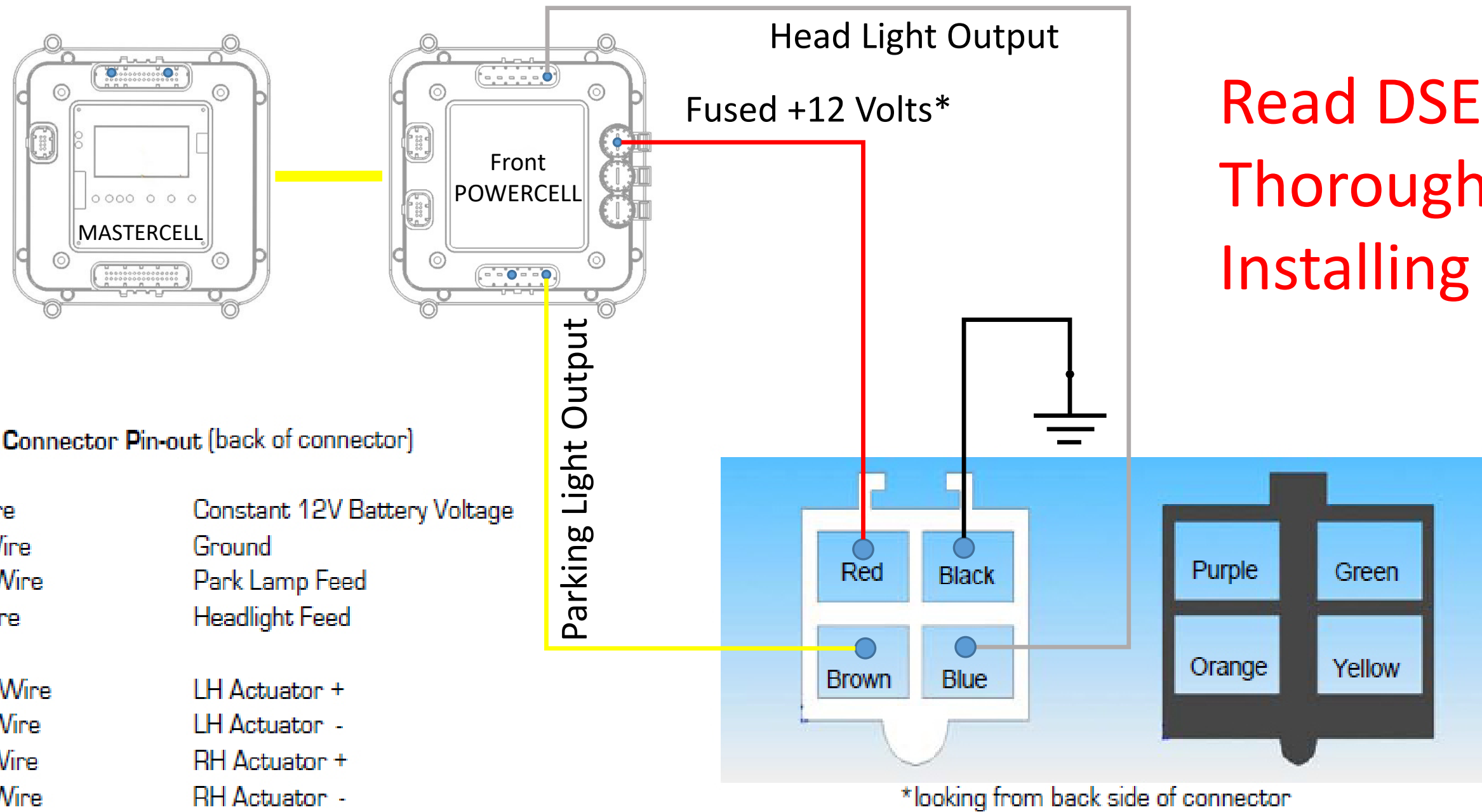


## Wiring RS Headlight Door Kit

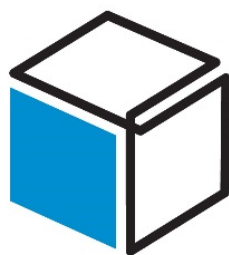
**Read DSE Instructions Thoroughly Before Installing This Kit!**



**Module Connector Pin-out (back of connector)**

- |             |                              |
|-------------|------------------------------|
| Red Wire    | Constant 12V Battery Voltage |
| Black Wire  | Ground                       |
| Brown Wire  | Park Lamp Feed               |
| Blue Wire   | Headlight Feed               |
| Orange Wire | LH Actuator +                |
| Yellow Wire | LH Actuator -                |
| Green Wire  | RH Actuator +                |
| Purple Wire | RH Actuator -                |

\* Fused +12-Volts Provided through Infinitybox POWERPLUG



NOTE: Infinitybox wire Colors & Connector Positions will vary for different kits. See the Configuration Sheet that came with your kit for exact wire colors and locations.  
 NOTE: MASTERCELL inputs must be ground switched. Applying 12-volts directly to an input will damage the MASTERCELL and void the warranty.  
 NOTE: Some wiring omitted for clarity. See your Infinitybox manual for details.